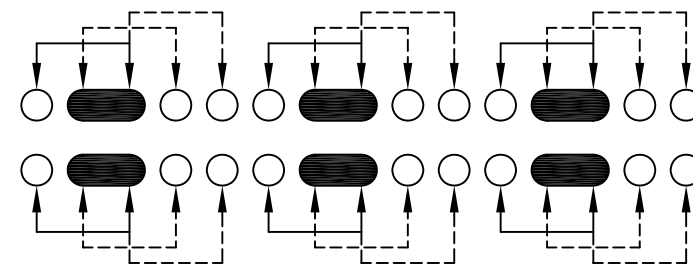
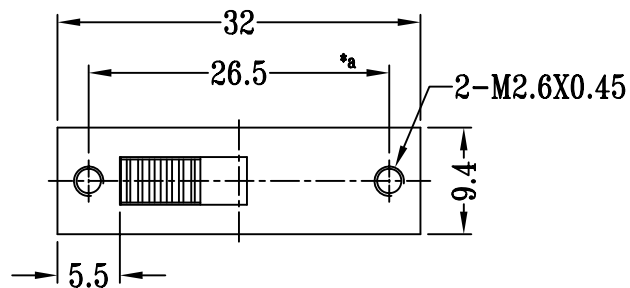
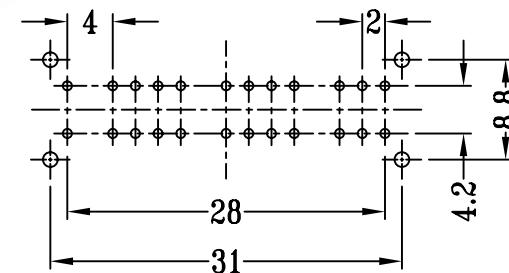
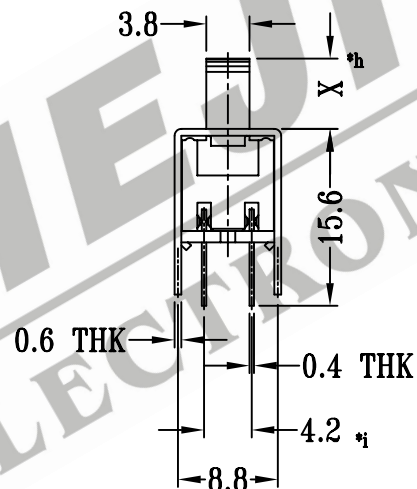
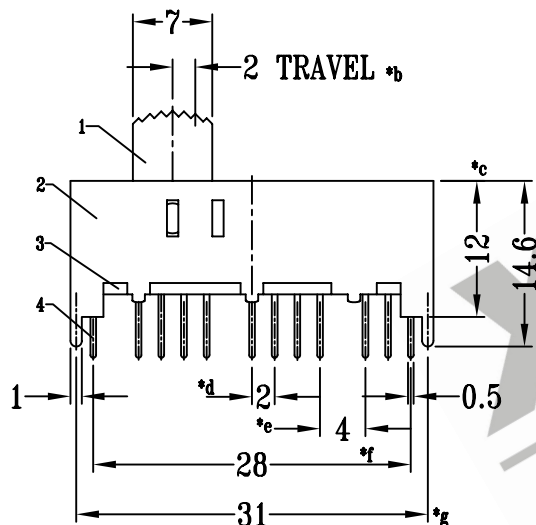


CAD FILE:



SCHEMATIC (SHORTING)



P.C.B LAYOUT

注:带“\*”表示关键尺寸(9个)

8					TOLERANCE UNLESS SPECIFIED	SHENZHEN XIEJIA ELECTRONICS CO.,LTD.					
7	STEEL BALL	STEEL	2	NATURAL							
6	SPRING	STEEL WIRE	1	TEMPER	WITHIN : 1.5±0.1mm OVER : 1.5±0.2mm	ISSUE	DATE	DESCRIPTIONS OF REVISION		APPD.	
5	CONTACT CLIP	PBS STRIP	6	Ag PLATED		TITLE : VERTICAL SLIDE SWITCH			UNIT : mm	DRWG NO.: XJ-DR-SS63D10-00	
4	TERMINAL	BRASS STRIP	24	Ag PLATED OVER Ni PLATED	MODEL: SS-63D10			SCALE: 3 : 2	DWN.	ZHOUYU	2003-12-9
3	BASE	PHENOLIC RESIN	1	NATURAL	ALL MATERIALS MUST BE COMPLIANT TO ROHS				CHK'D	FANGYING	2003-12-9
2	FRAME	STEEL STRIP	1	Ni PLATED				APPD.	KANGXINAN	2003-12-9	
1	KNOB	POM	1	BLACK							
NO.	PARTS	MATERIALS	Q'TY	FINISH							